

# HangTime™ Skateboard Wall Mount (Magnetic Mount)



## HangTime™ Skateboard Wall Mount Package Contents

1. The product includes 1 HangTime™ Mount Assembly for mounting a single skateboard; wall bracket, upper mount housing, lower mounting bracket.
2. Screw fasteners and screw anchors for mounting to the wall.
3. Screw fasteners for assembling the upper mount housing to the wall bracket.
4. Cover pads for upper mount housing and lower mounting bracket fasteners.
5. Instructions.

## HangTime™ Skateboard Wall Mount Instructions

**NOTE:** Truck mounting screws must be steel for the magnetic mount to hold your skateboard securely. If your board uses stainless steel screws the unit may not hold in place.

The magnetic mount is intended to be used for temporary storage and frequent use it is not intended to be a permanent mounting method for your skateboard. There are 2 methods for using the magnetic mount; with and without the lower mounting bracket. You may omit the lower mounting bracket and use the floor to support the board or use the lower mounting bracket to support the board when mounted higher on the wall.

**IMPORTANT:** When using the lower mounting bracket you must hang your board so the lower mounting bracket is within 15" from the floor.

Determine the location for the HangTime™ Skateboard Mount. Wall must be sound, strong enough to support the HangTime™ mounts and your skateboard. Do not try to hang on a ceiling or angled walls. Location must be free from obstructions, away from beds, doors and traffic areas. It is recommended that your HangTime™ mount be mounted using the screws and anchors provided. HangTime™ is not responsible for improper or inadequate mounting. Assembly requires a Phillips screwdriver and a 3/16" drill. Use of a cordless screwdriver or drill with a Phillips bit will make installation easier.

### Tools Required (not included)



Drill



Phillips Screwdriver



3/16" Drill Bit

PLEASE CONTACT US AT 860-436-4470 IF YOU REQUIRE ADDITIONAL HELP DURING INSTALLATION.



### Other HangTimeUSA™ Products



Snowboard Wall Mount  
for snowboards



Threaded Skateboard Wall Mount  
for permanent skateboard mounting

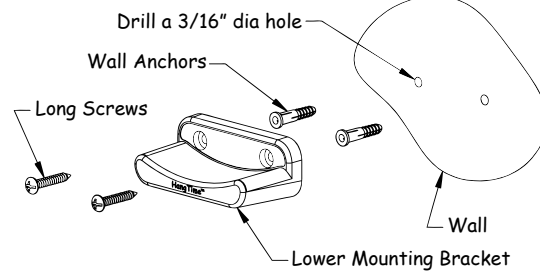
Made in the USA by Progress, Inc. Patent Applied For

HangTime™ and HangTimeUSA™ are trademarks of Progress, Inc. Newington, CT  
www.HangTimeUSA.com sales@HangTimeUSA.com  
Copyright 2013. Progress, Inc. All rights reserved.

## Installing Your HangTime™ Skateboard Wall Mount

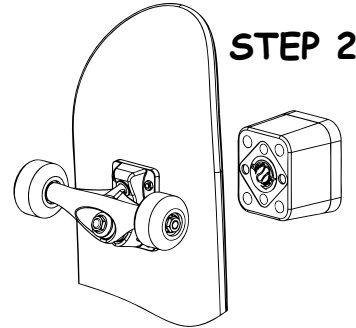
1. Using the longer screws and anchors supplied, attach the lower mounting bracket to the wall in the desired location. This sets the position of your board on the wall. The mounting bracket can be used as a template for hole positions. Drill a 3/16" hole and insert the wall anchors. If you are omitting the lower mounting bracket skip to the next step.

### STEP 1



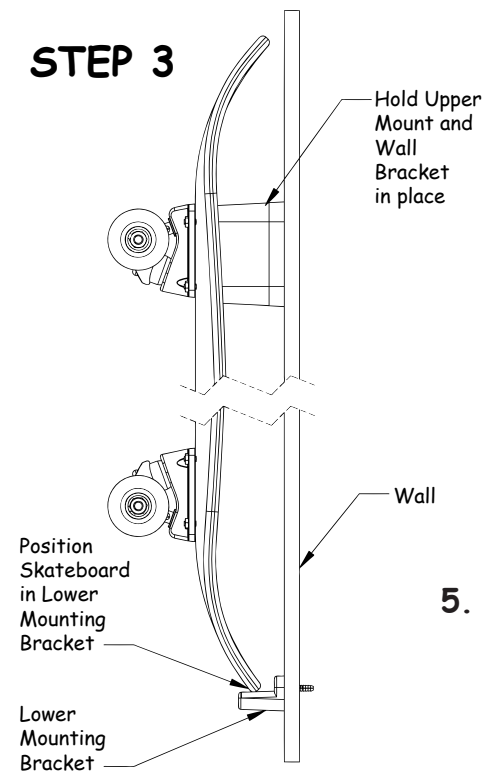
2. Place the upper mount onto the wall bracket, do not secure together with screws at this time. Place the upper mount on the board so the magnets hold it in place.

### STEP 2



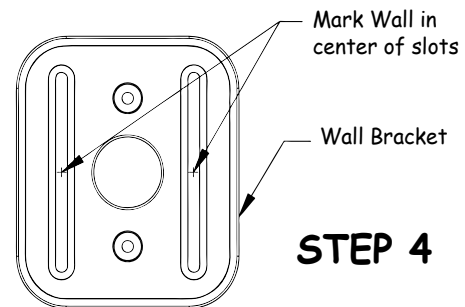
3. Position the lower edge of the skateboard into the lower mounting bracket to establish the correct height for the upper housing. If you are omitting the lower mounting bracket position the lower edge of the skateboard on the floor.

### STEP 3

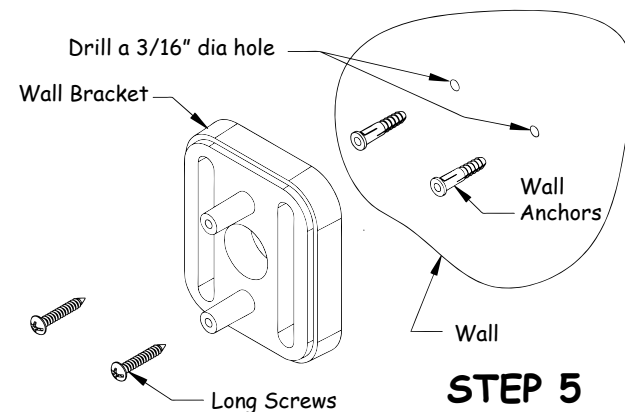


4. While holding the wall mounting bracket on the wall remove the board and upper housing and put aside. Using the wall bracket mark the wall with the screw locations in the center of each slot.

### STEP 4

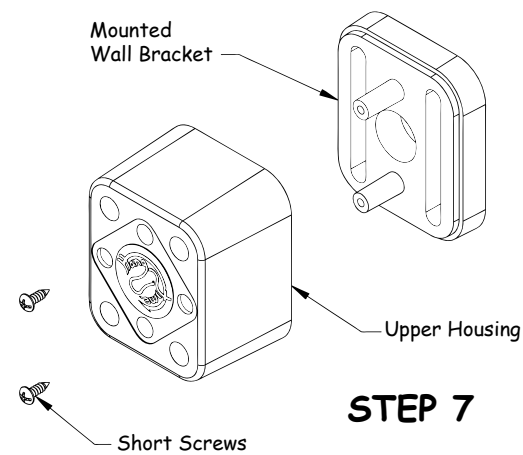


5. Drill a 3/16" hole in each location marked in step 4 and insert the wall anchors. Loosely screw the wall bracket to the wall using the longer screws.



6. Position the board with the upper housing onto the lower mounting bracket and the wall bracket. Reposition the wall bracket to insure the magnets hold the board correctly then remove and securely tighten the wall bracket screws without over tightening.

7. Attach the upper housing to the wall bracket with the 2 shorter screws supplied.

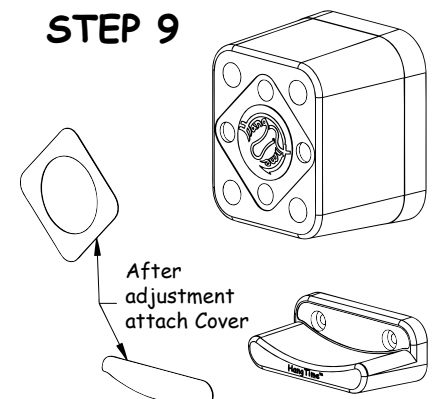


### STEP 7

8. If the upper housing requires adjustment the wall mounting bracket screws can be accessed thru the holes in the housing, prior to proceeding to step 9.

9. Attach the cover pads on the lower mounting bracket and the upper housing to hide the screw holes.

### STEP 9



## Using Your HangTime™ Skateboard Wall Mount

1. Rest the bottom edge of your board on the lower mounting bracket or the floor and move the top of the board towards the upper housing ensuring the board is retained by the magnets.
2. To remove the skateboard, just grab and go...

Thank you for purchasing our product!