



# HangTime™ Wall Mount

## for Skateboard Decks



(Threaded Mount)

### HangTime™ Wall Mount Package Contents

1. The product includes 1 HangTime™ Mount Assembly for mounting a single skateboard deck; wall bracket and threaded mount housing.
2. Screw fasteners and screw anchors for mounting to the wall.
3. Screw fasteners for assembling the upper mount housing to the wall bracket.
4. Screw fasteners for mounting your skateboard deck to the HangTime™ Wall Mount.
5. Instructions.

### HangTime™ Wall Mount for Skateboard Decks Instructions

**IMPORTANT:** Determine the location for the HangTime™ Wall Mount. Wall must be sound, strong enough to support the HangTime™ mount and your skateboard. Do not hang on a ceiling or angled walls unless there is sufficient support to hold the board and mount. Location must be free from obstructions, away from beds, doors and traffic areas. It is recommended that your HangTime™ mount be mounted using the screws and anchors provided. HangTime™ is not responsible for improper or inadequate mounting. Assembly requires a Phillips screwdriver and a 3/16" drill. Use of a cordless screwdriver or drill with a Phillips bit will make installation easier.

**PLEASE CONTACT US AT 860-436-4470 IF YOU REQUIRE ADDITIONAL HELP DURING INSTALLATION.**



Drill

#### Tools Required (not included)



Phillips Screwdriver



3/16" Drill Bit

#### Other HangTimeUSA™ Products:



HangTime™ Wall Mount  
for snowboards



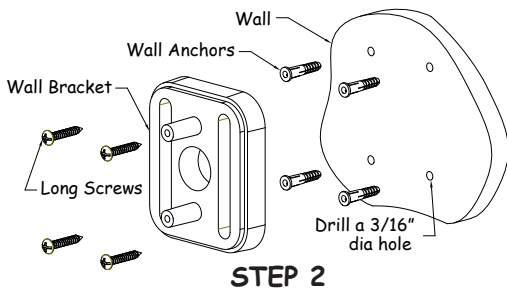
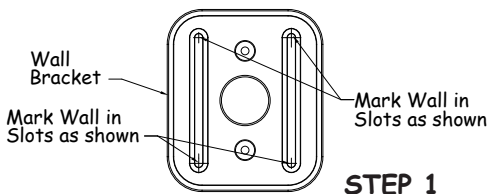
Magnetic Skateboard Wall Mount  
for temporary skateboard mounting

Made in the USA by Progress, Inc.

HangTime™ and HangTimeUSA™ are trademarks of Progress, Inc. Newington, CT  
www.HangTimeUSA.com sales@HangTimeUSA.com

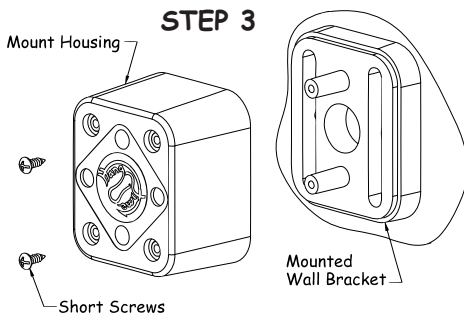
# Installing Your HangTime™ Wall Mount for Skateboard Decks

1. Using the hardware supplied, attach the wall bracket to the wall in the desired position. Use the wall bracket as a template mark the wall with the screw locations in each slot. It is recommended that the screws be in a top and bottom corners.



2. Drill a 3/16" hole and insert the wall anchors. Screw the wall bracket to the wall using the longer screws.

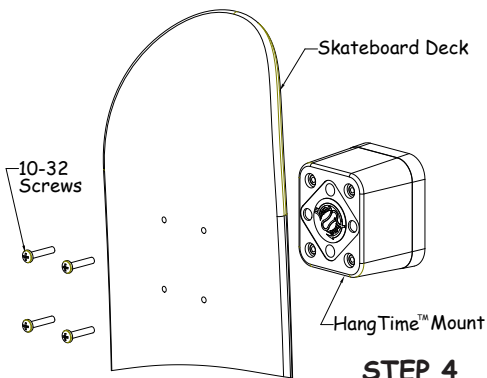
3. Attach the threaded housing to the wall bracket with the 2 shorter screws supplied.



## Attaching Your Deck to the HangTime™ Wall Mount

4. Using 4 skateboard truck screws or supplied 10-32 pan head screws attach your deck to the wall mount.

5. Enjoy...



Find us on  
**Facebook**

Become a Fan! Share a photo!

Thank you for purchasing our product!

[www.HangTimeUSA.com](http://www.HangTimeUSA.com) [sales@HangTimeUSA.com](mailto:sales@HangTimeUSA.com)